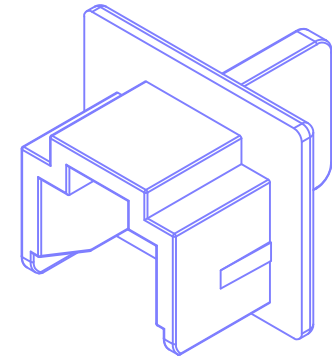
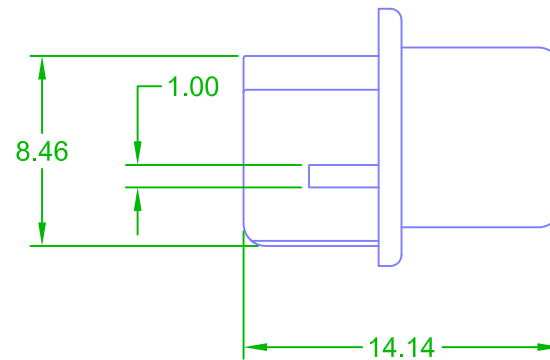
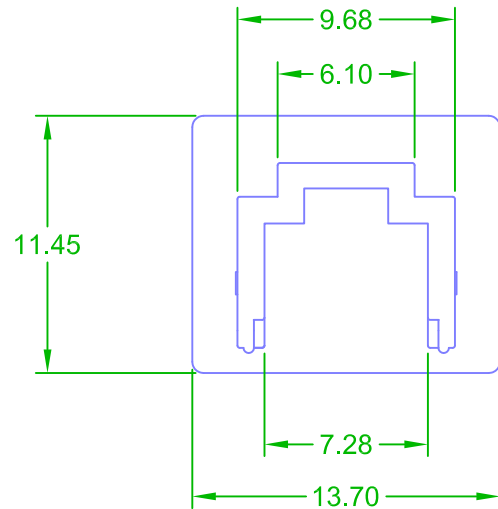
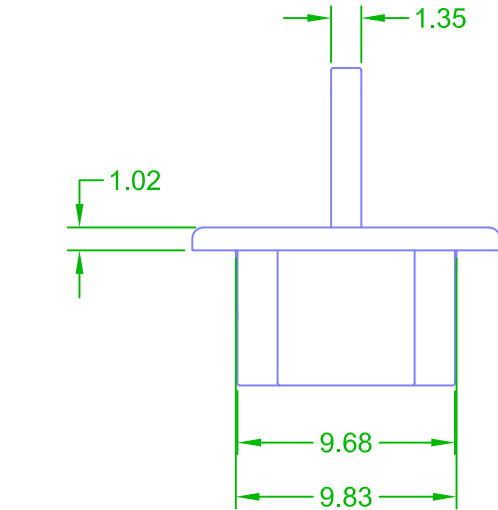


PMC Drawing Number:SR-036-□

1. Material:ABS, UL94HB, DEHP, DINP is less than 0.1%.
2. Packaging Quantity: Ⓢ=1000pcs, Ⓣ=500pcs, Ⓤ=250pcs,
 Ⓥ= 200pcs, Ⓦ=100pcs, Ⓧ= 50pcs,
 Ⓨ= 25pcs, Ⓩ= 10pcs

SR-036-□
 └─ Packaging Quantity(S, T, U, V, W, X, Y, Z)



NOTE TOL:±0.15

| | | | | | | | | | |
|-----|---------------------------------|-------|-----|----------|--------------|------|------------|-------------|--------|
| B | 2019.01.04. Rescheduling coding | 3RD | ⊕ | Drawing | <i>Chidy</i> | Date | 2016/09/10 | Part.NO | SR-036 |
| A | An initial version | Unit | m/m | Checked | <i>Chris</i> | Date | 2016/09/10 | Description | |
| Rev | Description | Scale | 1:1 | Approved | <i>Jason</i> | Date | 2016/09/10 | Plug Boot | |



Plug Master
 INDUSTRIAL CO., LTD
 www.plugmaster.com.tw